

# BAKER-BOT MAX

## Industrial, User-Friendly Cobot

The Baker-Bot MAX is an industrial cobot that can handle applications just outside the threshold of our other Baker-Bot models. It offers a greater reach and double the payload of the Baker-Bot 10.

### Benefits

- Versatile for multi-tasking
- Helps with labor shortages
- Reduces repetitive strain injuries
- Perfect for demanding industrial tasks
- Minimal guarding required

### Features

- Small footprint — fits into existing production space
- Easy to use touchscreen interface
- Quick tool changeover

### Suggested Applications

- Tray and pan handling, racking and unranking
- Palletizing

### Specifications

- 20 kg (44 lbs) payload
- 170 cm (67") reach

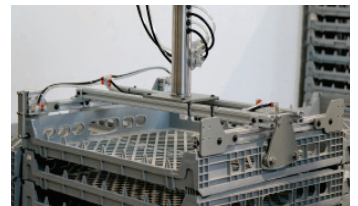
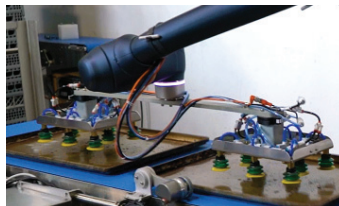
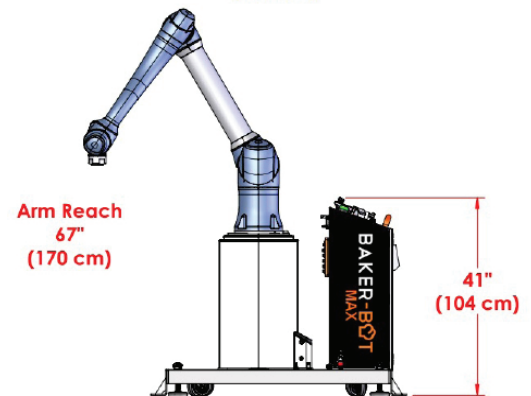
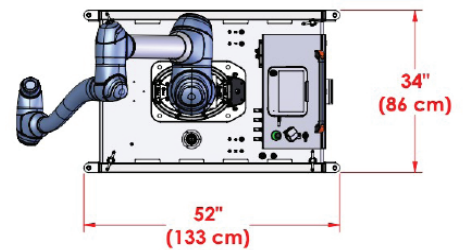
#### POWER REQUIREMENTS

Electric: 110 or 220 VAC single phase

Pneumatic: 2 - 4 cfm @ 80 psig



Dual gripper tray loading



**APEX** MOTION CONTROL

www.apexmotion.com  info@apexmotion.com  1.778.298.8292

Palletizing		Tray / Pan Handling	
Other			

# Build Your Bot

## Palletizing Kit

includes Baker-Bot Max, pallet jigs, one gripper, app and fence guard, 2 recipe setup

Palletizing Kit Short	for pallets up to 60" height	
Palletizing Kit Tall	With lifting column for pallets higher than 60"	

## Palletizing Pickup

Box Pickup Location Setup	Stop gate and photo sensor to be installed on customer conveyor	
Collating Conveyor Simple	for picking one or two boxes, no side shifting	
Collating Conveyor	with side shifting	

## Palletizing Accessories

Additional Gripper	beyond the one gripper included in the kit	
Additional Recipe Setup	beyond the 2 recipes included in the kit	
Slip Sheet Magazine		

## Tray, Pan and Bin Handling

Rack Clamps	For standard single or double bakery racks	
Dolly Clamps	For tray and pizza box dollies	

## Grippers

Tray / Pan Gripper		
Bin Gripper		
Bread Tray Gripper		
Pail Gripper		