

# BAKER-BOT

## The All-In-One Cobot

A perfect solution to automate the daily repetitive tasks in your production facility. The Baker-Bot is here to help put your production workers back into skilled positions.

### Benefits

- Safely works along side humans
- Versatile for multi-tasking
- Helps with labor shortages
- Reduces repetitive strain injuries
- Precisely repeats tasks

### Features

- Small footprint that fits into existing production space
- Easy to use touchscreen interface
- Quick tool changeover

### Suggested Applications

- Tray and pan racking and unracking.
- Decorating, spraying and depositing (with a depositor, filler or product tank).
- Primary packaging and Secondary packaging
- Cookie dough cutting and transfer

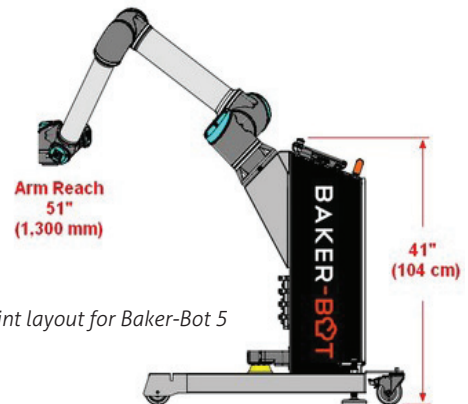
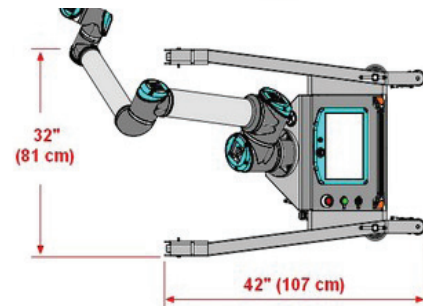
### Specifications

- Model 5: 5 kg (11 lbs) payload, 900 mm (35") reach
- Model 10: 12.5 kg (28 lbs) payload, 1300 mm (51") reach

#### POWER REQUIREMENTS

Electric: 110 or 220 VAC single phase

Pneumatic: 2 - 4 cfm @ 80 psig



Footprint layout for Baker-Bot 5



**APEX** MOTION CONTROL

www.apexmotion.com  info@apexmotion.com  1.778.298.8292

# Build Your Bot

Decorating		Primary Packaging	
Depositing		Secondary Packaging	
Tray / Pan Racking		Tray / Pan Unracking	
Cookie Stamping		Other	

## Baker-Bot Model

Model 5	5 kg payload	
Model 10	10 kg payload	

## Accessories

Conveyor Locating Bracket	For attaching a Baker-Bot to a conveyor	
Photo Sensor	For detecting position of objects	
3D Vision Camera	For detecting position, rotation, height, shape	
Depositor Control Kit	For controlling most depositors and fillers	

## Nozzles and Tooling

Low Flow	Fine decorating and cake writing	
High Flow / Extra High Flow	Shell borders, standard decorating tips	
Max Flow	Portioning and depositing	
Recirculation Hose	For recirculating warm products back to hopper	
Drizzle Head	Drizzling chocolate, caramel etc	
Decorating Head	Dollop, star and rosette decorations	
Cookie Stamp Tooling	For cutting cookies out of a dough sheet	
Other	Custom nozzle or tool	

## Grippers

Pick and Place Gripper	For picking and placing individual products (primary packaging)	
Secondary Packaging Gripper	For placing products into shipping boxes.	
Tray / Pan Gripper		
Pizza Box / Plastic Bin Gripper		

## Tray and Dolly Handling

Rack Clamps	For standard single or double bakery racks	
Dolly Clamps	For tray and pizza box dollies	